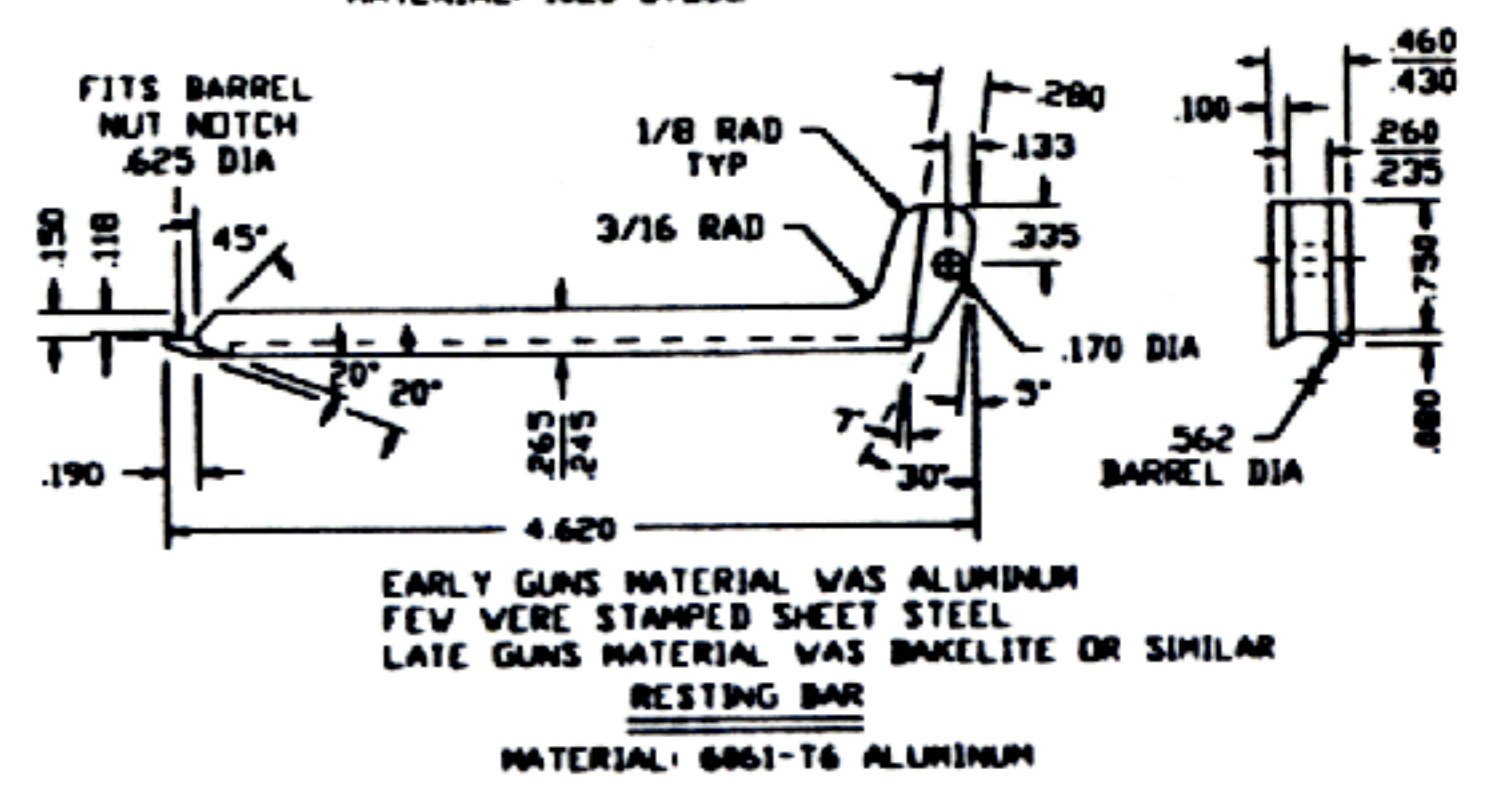
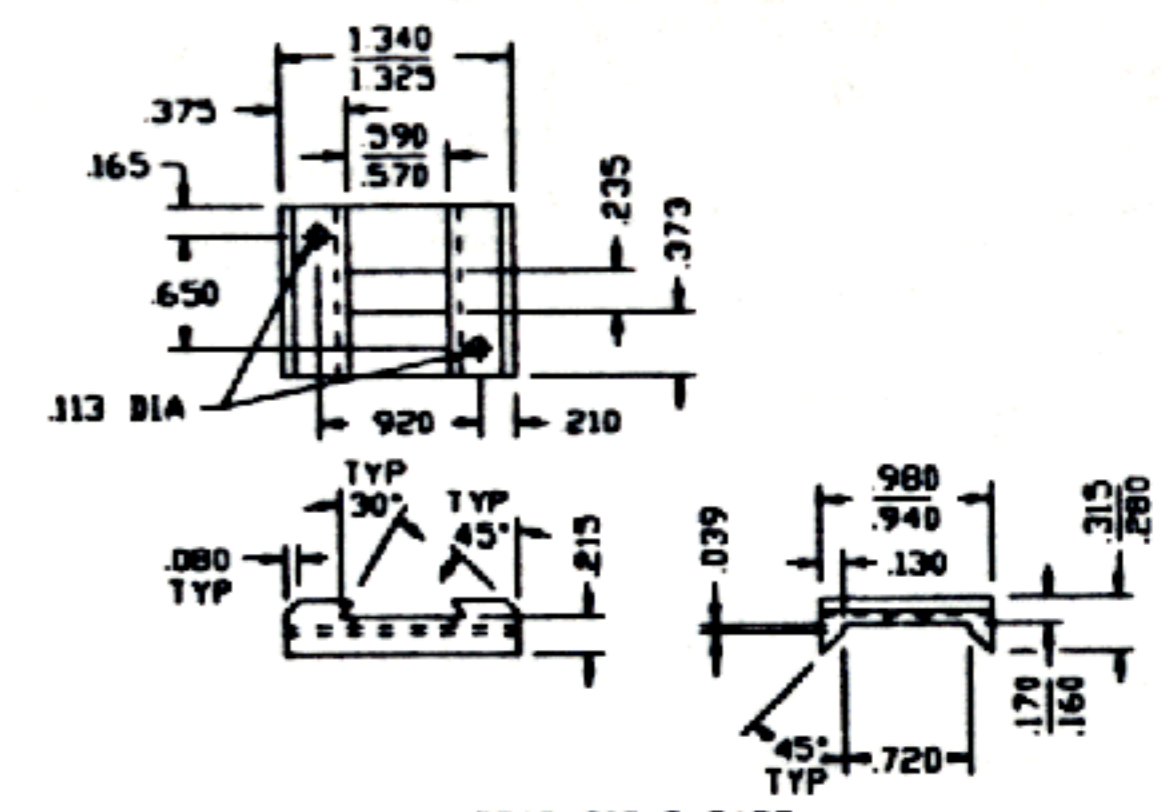


NOTE:
 HOLE IN MAGAZINE HOUSING IS THE FACTOR WHEN ASSEMBLED CROSS HOLE CHECKS ABOUT .215 THIS IS THE LAST HOLE TO BRILL AND AT ASSEMBLY.



- NOTES:**
- MATERIAL - 1 5/8 O.D. X 1 3/8 I.D. D.O.M. STEEL TUBE
 - FINISH - BLUE
 - O.D. OF RECEIVER TUBE SHOULD MATCH I.D. OF MAGAZINE HOUSING AND REAR CUP OF TRIGGER FRAME
 - SLOT SIZES AND LOCATIONS ARE AS FOLLOWS
 MAGAZINE HOUSING AREA - A) 5 SLOTS 2.250 LONG ON LEFT SIDE OF RECEIVER AT 20°, 40°, 60°, 80° AND 100°
 B) 2 SLOTS 2.250 LONG ON RIGHT SIDE OF RECEIVER AT 80° AND 100°
 MAIN BODY AREA - C) 4 SLOTS 7.750 LONG RIGHT SIDE OF RECEIVER AT 60°, 80°, 120° AND 140°
 D) 5 SLOTS 2.250 LONG TOP SIDE OF RECEIVER AT 40°, 20°, 0°, 20° AND 40°
 E) 1 SLOT 5.250 LONG TOP SIDE OF RECEIVER AT 60°
 F) 4 SLOTS 3.000 LONG TOP SIDE OF RECEIVER AT 40°, 20°, 0° AND 20°
 G) 2 SLOTS 1.000 LONG TOP OF RECEIVER AT 40° AND 60°
 H) 1 SLOT .500 LONG TOP OF RECEIVER AT 40°
 - S SLOTS ARE FORMED WITH A CUTTER .200 WIDE FULL RADIUS X .030 DEEP

RESTRICTED MATERIAL

CONFIDENTIAL

SCALE	FULL	MATERIAL	SEE NOTE 1	CRD	TOLERANCES
PIN		FINISH	SEE NOTE 2	DATE	AS SHOWN
TITLE	MP-38 RECEIVER			REV.	UNLESS 2 D
					NO.